

# SAFETY SHUT-OFF DEVICES for Gaseous Fuels



made  
in  
Germany

## CONTACT

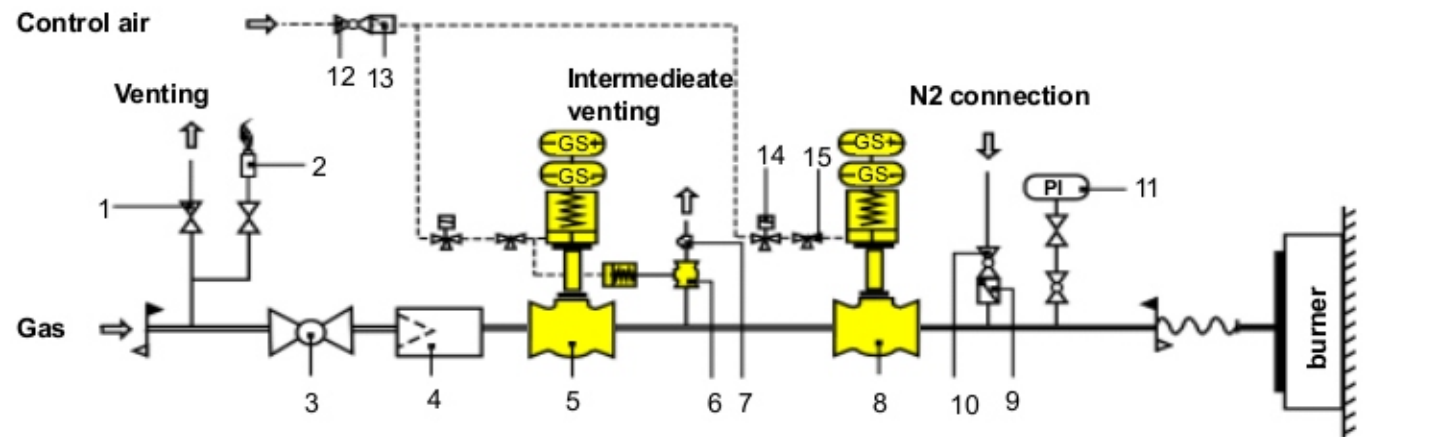
ZANNI GROUP  
Germany  
<http://www.zanni.group>

## LOCAL OFFICE

# Safety Shut-off Devices for Gaseous Fuels

such as natural gas, coke oven gas or process gas

## Flow Diagram of a Gas Burner Valve Station



- |                       |                                    |                              |
|-----------------------|------------------------------------|------------------------------|
| 1 Ball valve venting  | 6 Intermediate venting             | 11 Pressure measuring        |
| 2 Test burner         | 7 Opt. tightness monitoring device | 12 Ball valve                |
| 3 Ball valve          | 8 Quick-closing valve              | 13 Strainer                  |
| 4 Strainer            | 9 Non-return valve                 | 14 3/2-way directional valve |
| 5 Quick closing valve | 10 Ball valve                      | 15 Quick-acting vent         |

customer



- Uniform clearly structured and easy-to-maintain system for the operation of gas burner
- Ready-to-connect unit checked for tightness and proper functioning
- Quick-closing gas valves according to EC prototype test (Modul B) in accordance with Directive 97/23/EC including a component test to EN 161 and DIN 3394-T1
- Delivery conditions to DIN 3230-T5
- Material certificates to EN 10 204-3.1 B
- Modified equipment including control valve, orifice plate, pressure measuring points etc. available on request

# Safety Shut-off Devices for Gaseous Fuels

such as natural gas, coke oven gas or process gas

## Quick-closing Valve Combination with Intermediate Venting for Gas Burners Type KVII/F-KVII/F



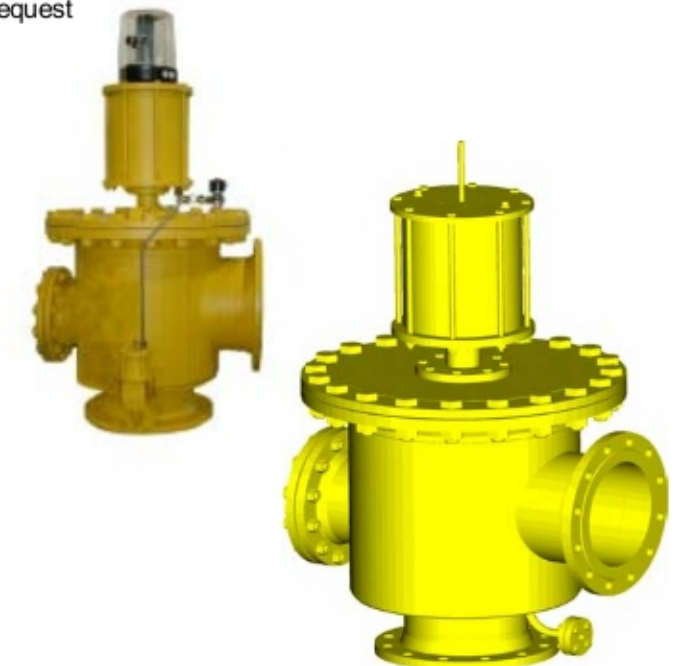
### Application

- Gas firing systems on steam boilers to TRD 412
  - Gas-carrying piping systems in all industrial fields
  - Valves with type testing to
    - 97/23/EC *Pressure Equipment Directive, module B*
    - DIN EN 161 Automatic shut-off valves for gas burners and gas appliances (operating pressure of up to 4 bar)
    - DIN 3394-P Automatic Control Valves – Pressure relief, safety and regulation valves for pressure above 4 bar up to 16 bar
    - DIN EN 12 952 *Water tube boilers and auxiliary installations*
    - DIN EN 12 953 *Shell boilers*
- Nominal diameter: 15 to 300 mm  
 Operating pressure: up to 40 bar  
 Operating temperature: -15°C to 200°C

### Technical Data

- Valve body: Cast steel GS-C 25  
 Nodular cast iron GGG40.3  
 Stainless steel 1.4408
- Plug seal: Perbunan/Viton/Teflon  
 Stem seal: Maintenance-free due to stainless steel bellows
- Actuator: Pneumatic piston actuator with closing-spring
- Control:
  - Electromagnetically operated 3/2 directional valve
  - Position indication via limit switches

Larger nominal diameters and special designs available on request



## Quick-closing Gas Valve with Double Sealing and Intermediate Venting Type KVII/FD

### Application

- Special combustion plants
  - Coke-oven gas combustion plants
  - Valves with type testing to:
    - 97/23/EC *Pressure Equipment Directive, module B*
- Nominal diameter: 200 to 400  
 Operating pressure: up to 16 bar  
 Operating temperature: -15° C to 200° C

### Technical Data

- Valve body: Welded steel construction  
 Sealing elements: Perbunan/Viton/Teflon  
 Stem seal: Maintenance-free due to stainless steel bellows
- Actuator: Pneumatic piston actuator with closing-spring
- Control:
  - Electromagnetically operated 3/2 directional valve
  - Position indication via limit switches

Special design on request